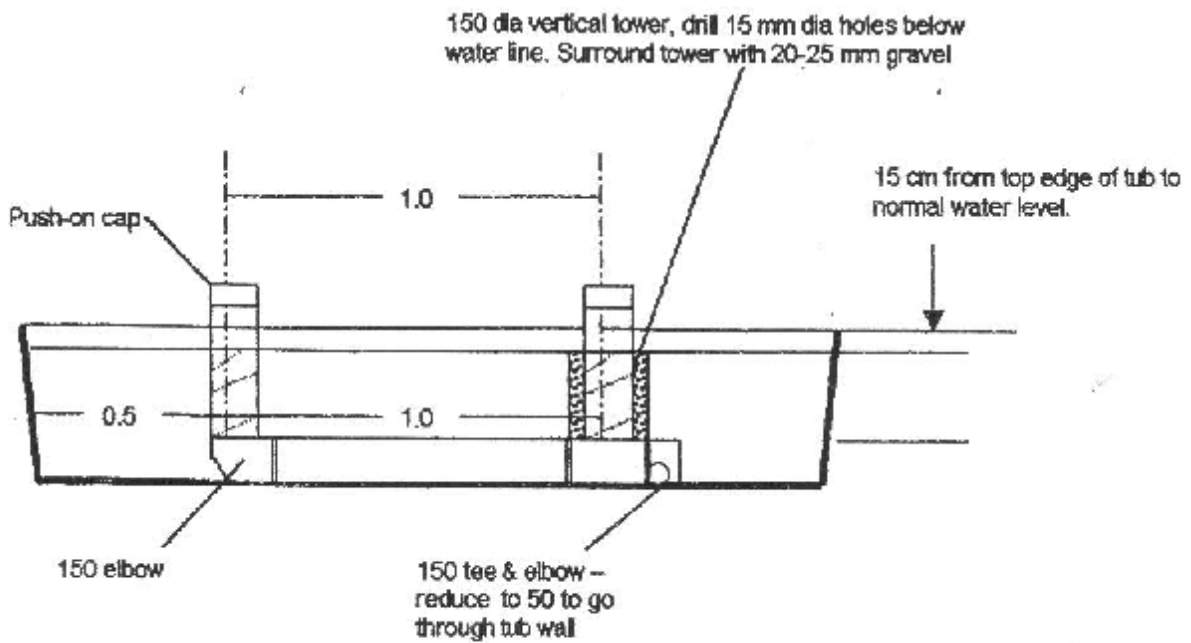


SECTION AA – inlet structure

SECTION CC

Sections detailing inlet structure. 100mm dia SWV delivery pipe rests on edge of tub. Gravel or stones (> 25 mm dia) are mounded to level of tub edge at this end. The larger media should extend approx 0.5 m along the length of tub. The influent is directed equally in opposite directions along the spreader pipe by an appropriately constructed tee (or distribution box). Removable elbows direct the influent to depressions in the stones/gravel. It is important NOT to glue the tees so that access can be obtained in the event of slime buildup in the spreader pipe.



SECTION BB – outlet structure

Effluent enters the outlet structure via 15 mm holes drilled (below water line only) in the vertical capped towers. These towers are surrounded by gravel (20-25 mm dia) larger than the holes in towers.